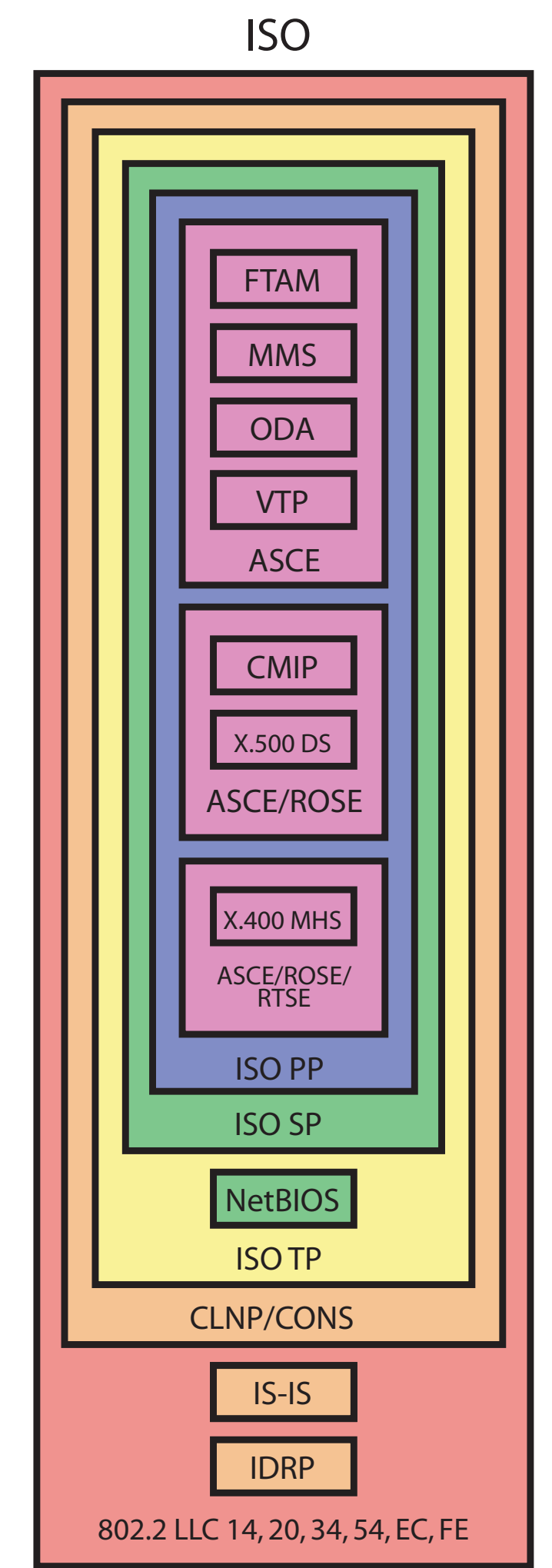
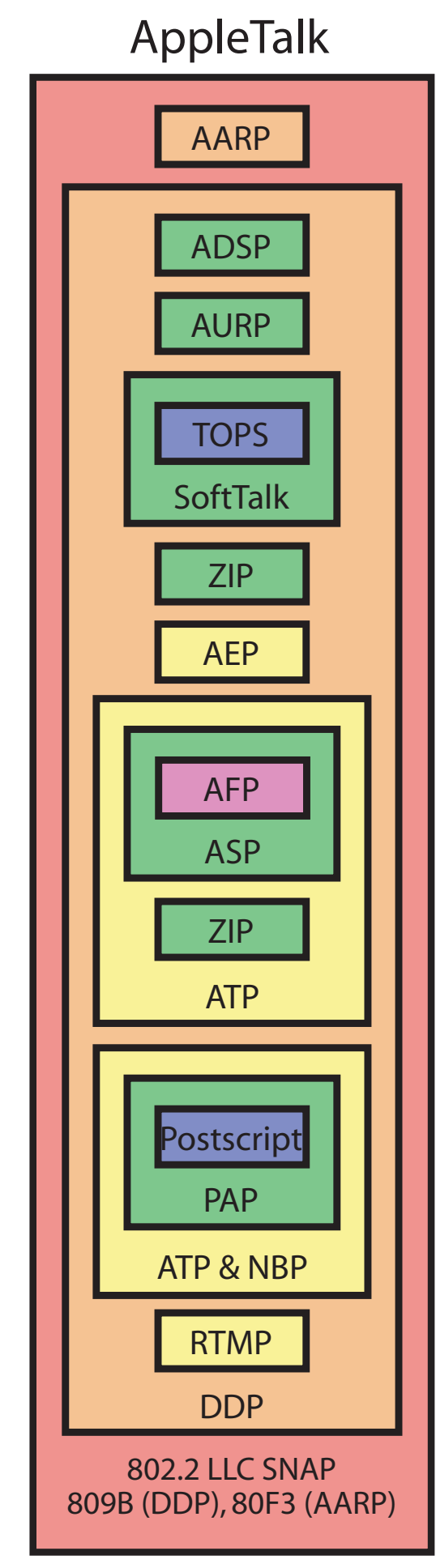
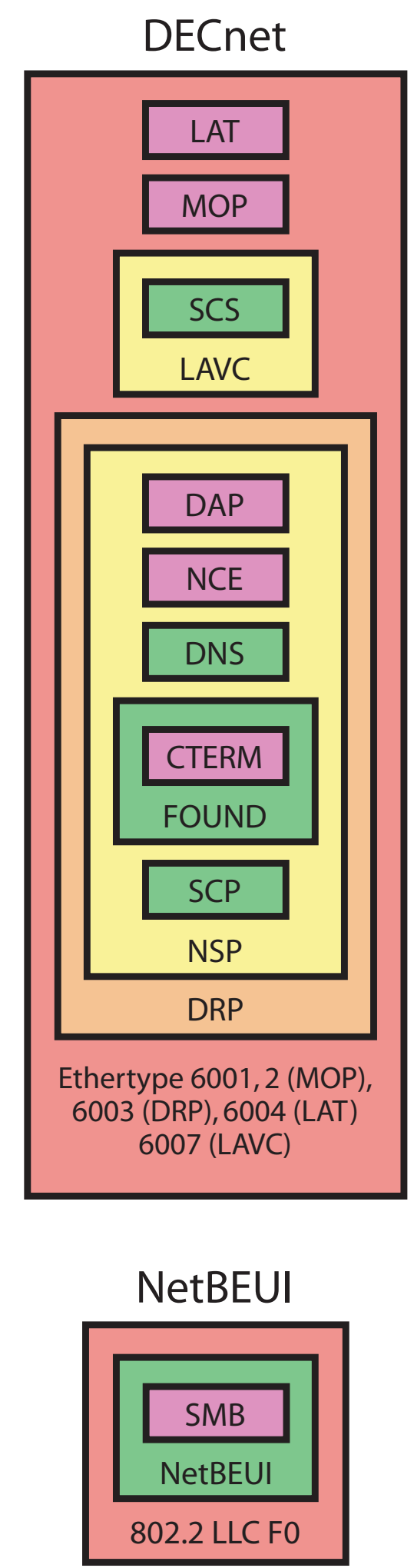
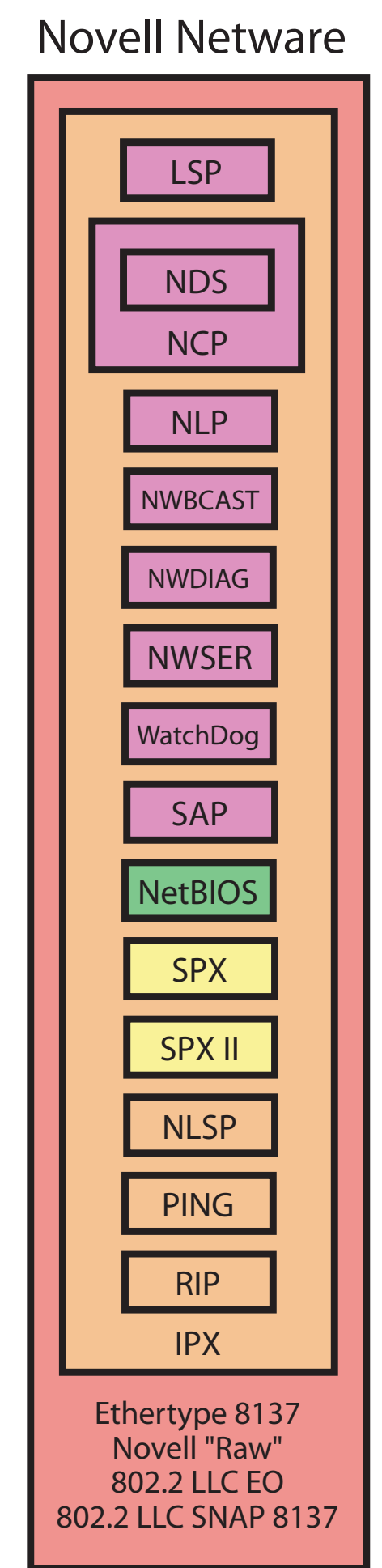
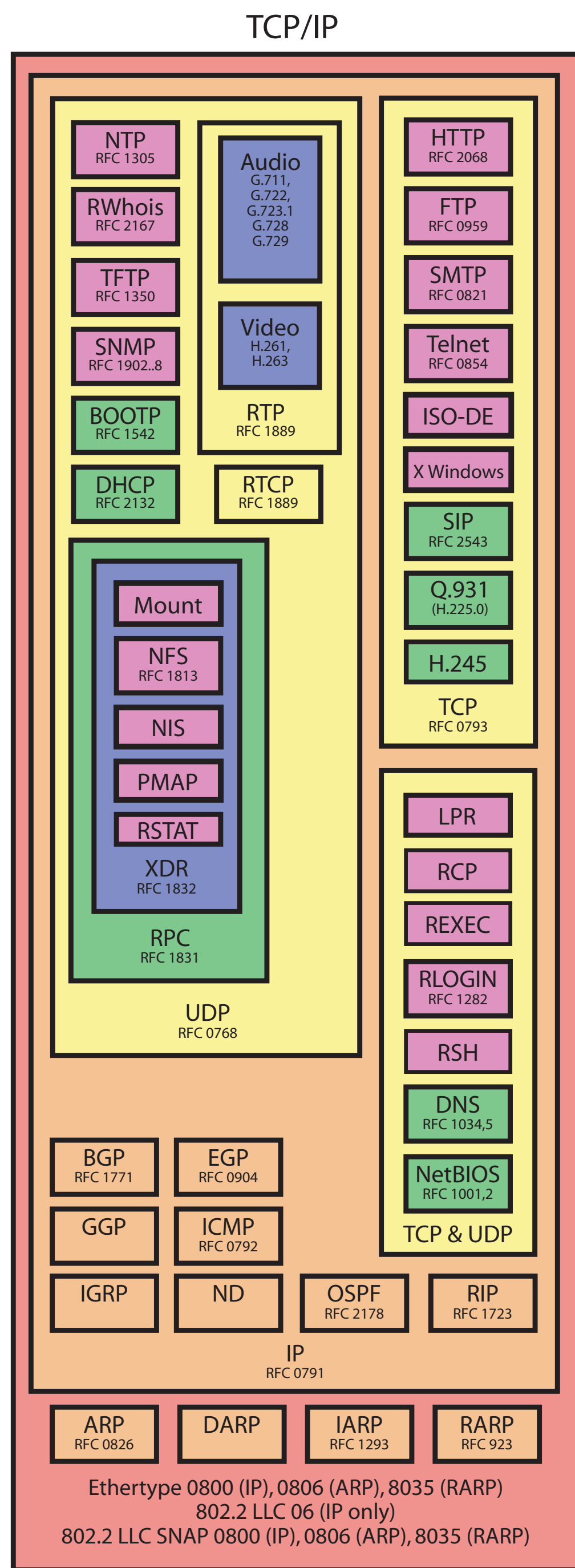


Protocol Family Encapsulations

- Layer 7 Application**
Provides standard services to applications and end-user interfaces.
- Layer 6 Presentation**
Performs data format conversion. Provides compression, encoding, and encryption of data.
- Layer 5 Session**
Establishes sessions between services. Synchronizes and performs translations for naming services.
- Layer 4 Transport**
Manages connections and provides reliable packet delivery. Operates in units of messages.
- Layer 3 Network**
Addresses and routes datagrams. Performs fragmentation and reassembly (IP). Operates in units of packets.
- Layer 2 Logical Link**
Provides hardware addressing and error detection/correction. Operates in units of frames.
- Layer 1 Physical**
Defines connection, electrical, and wiring specifications. Operates in units of bits.



| | | | | | | | |
|-------|--|---------|--|---------|--|-----------|---------------------------------------|
| AARP | AppleTalk Address Resolution Protocol | IARP | Inverse Address Resolution Protocol | NLP | NetWare Lite Protocol | RTSE | Reliable Transfer Service Element |
| ADSP | AppleTalk Data Stream Protocol | ICMP | Internet Control Message Protocol | NLSP | NetWare Link State Protocol | RWhois | Remote Whois |
| AEP | AppleTalk Echo Protocol | IDRP | Interdomain Routing Protocol | NTP | Network Time Protocol | SAP | Service Advertisement Protocol |
| AFP | AppleTalk Filing Protocol | IGRP | Interior Gateway Routing Protocol | NWBCAST | NetWare Broadcast Message Notification | SIP | Session Initialization Protocol |
| ARP | Address Resolution Protocol | IP | Internet Protocol | NWDIAG | NetWare Diagnostic Support Protocol | SMB | Server Message Block |
| ASCE | Association Control Service Element | IPX | Internet Packet Exchange | NWUSER | NetWare Serialization Protocol | SMTP | Simple Mail Transfer Protocol |
| ASP | AppleTalk Session Protocol | IS-IS | Intermediate System to Intermediate System Routing | ODA | Office Document Architecture | SNMP | Simple Network Management Protocol |
| ATP | AppleTalk Transaction Protocol | ISO PP | Presentation Protocol | OSPF | Open Shortest Path First | SPX | Sequenced Packet Exchange |
| AURP | AppleTalk Update Routing Protocol | ISO SP | Session Protocol | PAP | Printer Access Protocol | TCP | Transmission Control Protocol |
| BGP | Border Gateway Protocol | ISO TP | Transport Protocol | PING | Packet Internet Groper | Telnet | Telecommunications Network Protocol |
| BOOTP | Boot Protocol | ISO-DE | Development Environment | PMP | Port Mapper | TFTP | Trivial File Transfer Protocol |
| CLNP | Connectionless Network Protocol | LPR | Remote Print | RARP | Reverse Address Resolution Protocol | TOPS | Transcendental Operating System |
| CMIP | Common Management Information Protocol | LSP | NetWare Lite Sideband Protocol | RCP | Remote Copy | UDP | User Datagram Protocol |
| CONS | Connection Oriented Network Protocol | MMS | Manufacturing Message Service | REXEC | Remote Execution | VTP | Virtual Terminal Protocol |
| DARP | Dynamic Address Resolution Protocol | Mount | Mount Server | RIP | Routing Information Protocol | WatchDog | Station Keep Alive |
| DDP | Datagram Delivery Protocol | NBP | Name Binding Protocol | RLOGIN | Remote Login | X Windows | Graphical Windows |
| DHCP | Dynamic Host Configuration Protocol | NCP | NetWare Core Protocol | ROSE | Remote Operations Service Element | X.400 MHS | Message Handling System |
| DNS | Domain Name System | ND | Network Disk | RPC | Remote Procedure Call | X.500 DS | Directory Services |
| EGP | Exterior Gateway Protocol | NDS | NetWare Directory Service | RSH | Remote Shell | XDR | Exchange Data Representative Protocol |
| FTAM | File Transfer Access and Management | NetBEUI | NetBIOS Enhanced User Interface | RSTAT | Remote Statistics | ZIP | Zone Information Protocol |
| FTP | File Transfer Protocol | NetBIOS | Network Basic Input/Output System | RTCP | RTP Control Protocol | | |
| GGP | Gateway to Gateway Protocol | NFS | Network File System | RTMP | Routing Table Maintenance Protocol | | |
| HTTP | HyperText Transfer Protocol | NIS | Network Information Services | RTP | Real-time Transport Protocol | | |